

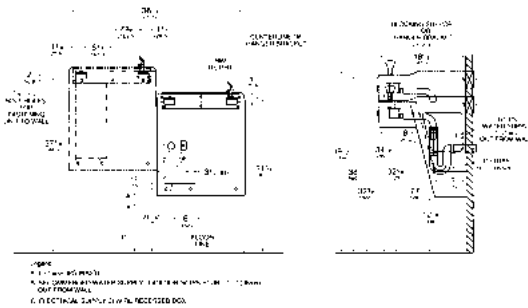


WATERCOOLERS AND DRINKING FOUNTAINS

HAC Series Water Coolers

- Exclusive Halsey Taylor Double Bubbler™
- Fine mesh strainer on water inlet line
- Easy-to-operate pushbars with raised letters for the visually handi-capped
- Large backplate opening for easier rough-ins
- Access to trap without removing side panels
- Standard finish is Platinum Vinyl
- Available with front pushbars only (HAC8F-Q), front and side pushbars (HAC8FS-Q) or with electronic sensor (HAC8EE-Q)

- Available without refrigeration (HACF L/R front pushbars only and HACFS L/R front and side pushbars).
- Bi-level models use single drain and supply
- Bi-level models available with front pushbars only (HAC8FBL-Q), front and side pushbars (HAC8FSBL-Q) or with electronic sensor on right side unit only or on both units (HAC8BLEE-Q)
- Bi-level models available without refrigeration (HACFDBL L/R front pushbars only and HACFSDBL L/R front and side pushbars)
- Available with Easy-Flex™ Bubbler and Cane Apron
- All models meet requirements of ADA



HAC8FS-Q
(Shown in Slate Vinyl)



HAC8EE-Q

Model	Rated GPH Cooled to 50° F.	Rated Watt Usage	F.L. Amps	Condenser Cooling	Shipping Weight (lbs.)
HAC4F-Q/HAC4FS-Q	4.0	325	3.7	Air	71
HAC8F-Q/HAC8FS-Q	8.0	325	3.7	Air	77
HAC8EE-Q	8.0	325	3.7	Air	78
HAC8FBL-Q/HAC8FSBL-Q	8.0	325	3.7	Air	108
HAC8BL-EE-Q	8.0	325	3.7	Air	108

OVL-II™ SER-Q Water Cooler

- Sophisticated oval styling
- Twin receptors, including an extended barrier-free design
- Exclusive! Halsey Taylor Double Bubbler™
- Standard finish is satin finish stainless steel
- Semi-circular 180° pushbars for ease of operation
- Available with Galaxy Gray, Golden Sand and Black Onyx Marblyte™ receptors.

- Panels overlap wall face and removable louvered front panel makes servicing easy
- Available as single barrier-free unit (OVL-II™ER-Q)
- Meets requirements of ADA
- Available with Electronic Sensor (OVL-II™SEREE-Q and OVL-II™EREE-Q)

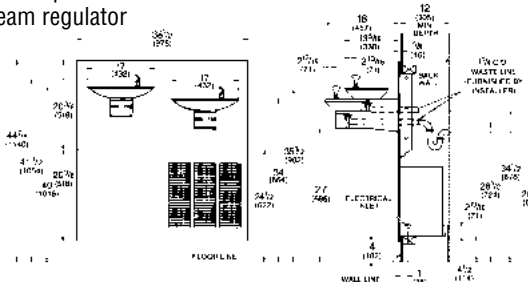


OVL-II™ER-Q

OVL-II™ SEBP Drinking Fountain

- Exclusive! Halsey Taylor Double Bubbler™
- Standard finish is satin finish stainless steel
- Semi-circular 180° pushbar for ease of use
- Automatic stream regulator

- Available with Galaxy Gray, Golden Sand and Black Onyx Marblyte™ receptors.
- Available as single barrier-free unit with back panel (OVL-II™EBP) or without backpanel (OVL-II™E)
- Meets requirements of ADA



OVL-II™ SEREE



OVL-II™ SEBP

Model	Rated GPH Cooled to 50° F.	Rated Watt Usage	F.L. Amps	Condenser Cooling	Shipping Weight (lbs.)
OVL-II™SER-Q	7.5	325	3.5	Air	160
OVL-II™ER-Q	7.5	325	3.5	Air	120
OVL-II™SER-EE-Q	7.5	325	3.5	Air	145
OVL-II™ER-EE-Q	7.5	325	3.5	Air	102



WATERCOOLERS AND DRINKING FOUNTAINS

DELUXE AND COMPACT WALL-MOUNTED WATER COOLERS



WM Series

WM8A-Q • WM14A-Q • WM14W-Q

- Attractive styling blends with any decor
- Exclusive! Halsey Taylor Double Bubbler™
- Easy-clean, anti-splash rim receptor
- Mounts with all connections concealed
- Glass filler field kits available
- Factory-installed coffee server available (WM8A-Q and WM14A-Q only)

- Standard finish is Platinum Vinyl cabinet with stainless steel receptor
- Available with Easy-Flex™ Bubbler
- Optional finishes available
- Available without refrigeration (WM L/R)

SW4A-Q • SW8A-Q SW14A-Q

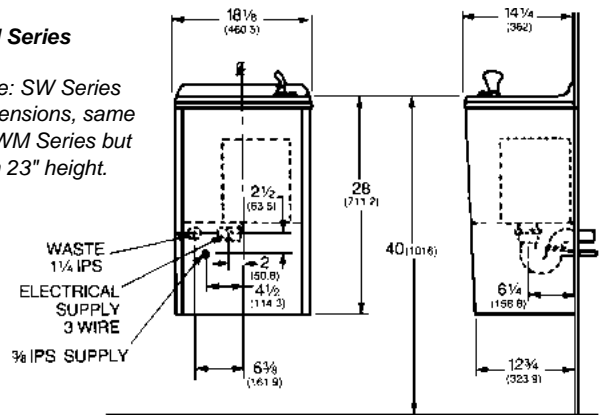
Same as WM Series but with space-saving 23" high cabinet



SW Series

WM Series

Note: SW Series dimensions, same as WM Series but with 23" height.



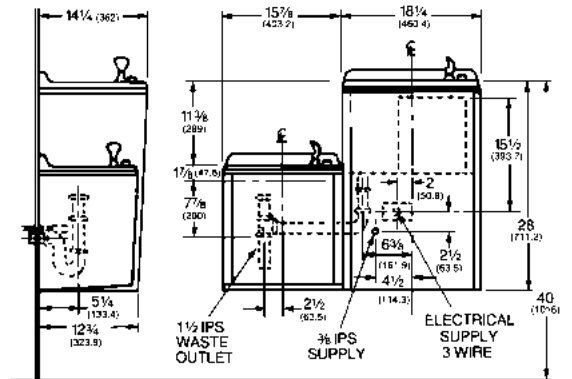
BI-LEVEL WALL-MOUNTED WATER COOLER

WM14ABL-Q

- Ideal for elementary schools, retail stores and other public environments
- Exclusive! Halsey Taylor Double Bubbler™
- Easy-clean, anti-splash rim receptor
- Factory-supplied cabinet-to-cabinet mounting system
- Glass filler field kits available
- Standard finish is Platinum Vinyl cabinet with stainless steel receptor
- Optional finishes available
- Available with Easy-Flex™ Bubbler



WM14ABL-Q



Model	Rated GPH Cooled to 50° F.	Rated Watt Usage	F.L. Amps	Condenser Cooling	Shipping Weight (lbs.)
SW4A-Q	4.0	250	3.5	Air	61
SW8A-Q	8.0	450	5.0	Air	68
SW14A-Q	13.5	625	8.0	Air	68
WM8A-Q	8.0	450	5.0	Air	68
WM14A-Q	13.5	625	8.0	Air	75
WM14W-Q	13.5	625	8.0	Water	86
WM14ABL-Q	13.5	625	8.0	Air	94