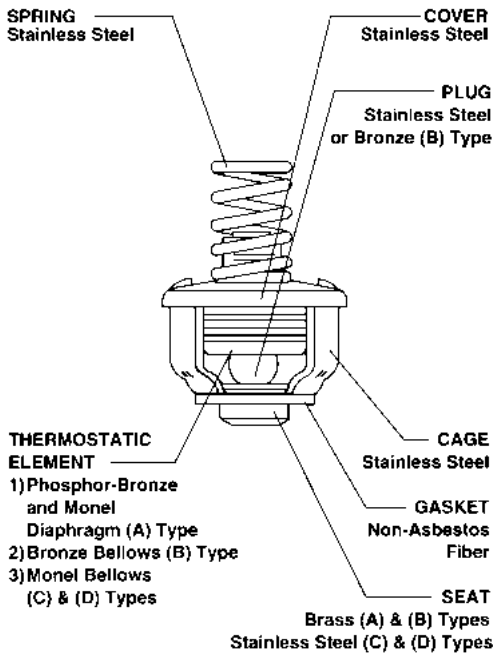


Barnes & Jones STEAM TRAPS

**Thermostatic Steam Trap Repair Elements (Cage Units)
 for All Makes & Models VAC - 300 PSIG**



(A) TYPE - VAC. - 25 PSIG (C) & (D) TYPES - VAC. - 300PSIG
 (B) TYPE - VAC. - 65 PSIG

Features

- Single Source for ALL your thermostatic trap elements
- Available for over 800 makes and models
- One-Piece repair reduces maintenance time and aggravation
- No special tools needed for installation
- The only repair element available today that is calibrated to ensure maximum sensitivity in the field
- Every element is factory tested, under live steam, before shipment to you
- Improves original trap's performance with a payback in fuel savings within weeks
- Over 80 years repairing millions of steam traps.

Description

The Cage Unit comprises all working parts of a thermostatic steam trap including the seat. All parts are calibrated together under actual steam conditions at our factory and are locked into the precisely correct working relationship within a stainless steel housing. This is a one piece, stand alone, fully removable and testable "trap within a trap." There are no loose parts to contend with; gone is the potential of overtightening, undertightening, crossthreading or misaligning assorted pieces of a "repair kit."

To the user, calibrated construction of the Barnes & Jones Cage Unit offers the assurance that every element will operate with the same performance in the field as it did when tested in our factory. This guarantees a greater sensitivity than could ever be promised with a bag of uncalibrated parts or any uncalibrated element.

Along with the fuel savings that accrues with the use of a more sensitive element, the Cage Unit offers increased efficiency with maintenance as well. The one piece construction allows for removal and testing of the element outside of the original trap body.

Adaptations of the Cage Unit are available for more than 800 makes, styles and sizes of thermostatic steam traps for low, medium and high pressure service. Even if your system consists of traps from Dunham-Bush, Hoffman, Nicholson, Sarco, Warren- Webster and any other brands, Barnes & Jones Cage Units can repair them all! Ask for the "Steam Trap Repair Guide" to find the Cage Unit specifically designed to upgrade the working parts in your particular steam trap.

"COMPLETE LINE OF BARNES & JONES TRAP SYSTEMS AVAILABLE"