



WAYNE WATER SYSTEM BATTERY BACKUP SUMP PUMP

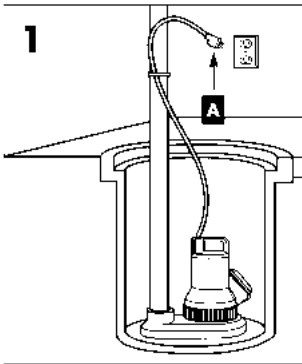
FEATURES

- Protects your basement from flood damage if your main power fails, if incoming flow exceeds capacity of main pump or if main pump fails.
- 12 volt battery-operated standby power system automatically activates during power failure.
- Alarm system activates when the pump runs.
- Built-in check valve keeps water from returning to sump basin.
- Works with deep cycle or marine battery.
- Tri-color L.E.D. shows battery charge.

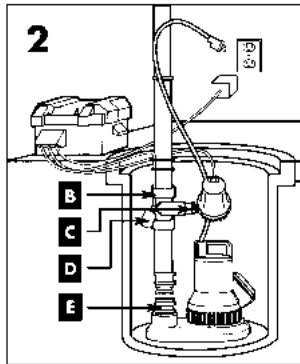
BSP15

PERFORMANCE CHART							
Model	Discharge Head	0'	2'	4'	6'	8'	10'
BSP15	Gallons/Hour	1750	1668	1512	1302	948	721

TYPICAL INSTALLATION

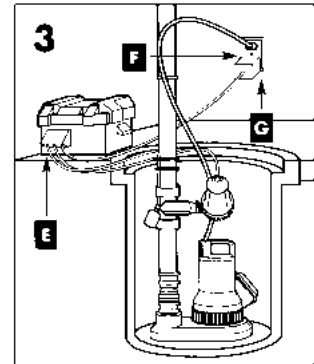


1a. Unplug sump pump

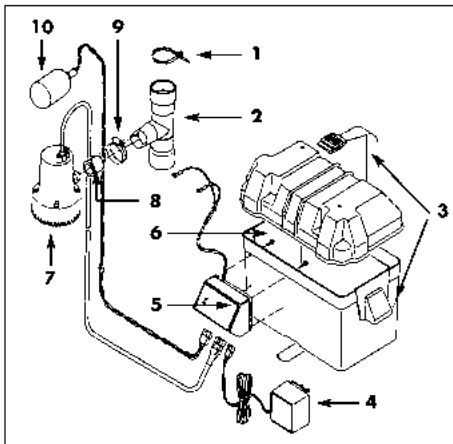


- 2b. Install tee fitting
- 2c. Connect 12 volt pump with clamp
- 2d. Connect float switch
- 2e. Install check valve below tee fitting*

*May need to purchase this product



- 3e. Connect battery box
- 3f. Plug in sump pump
- 3g. Plug in charger



Ref. #	Description	Part Nos.	Qty.
1	Wire Tie	17182-003	4
2	Tee fitting	17233-002	1
3	Battery box/strap	23217-001	1
4	Charger	17220-004	1
5	Control box	30209-001	1
6	Screw-control box	16119-002	4
7	12 Volt pump	17218-003	1
8	Flapper valve	28411-001	1
9	Clamp-hose	16044-001	1
10	Float switch	30206-001	1