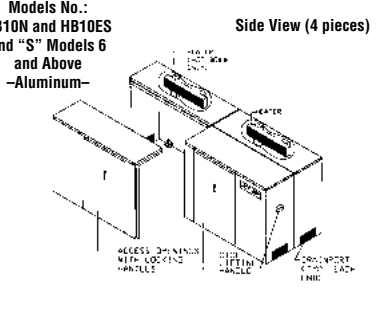
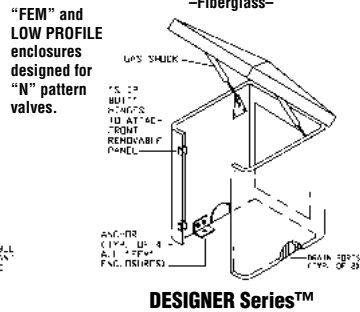
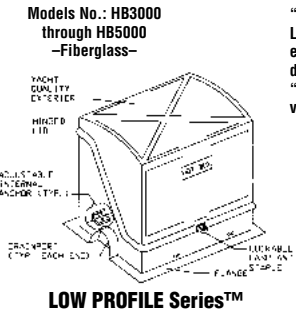
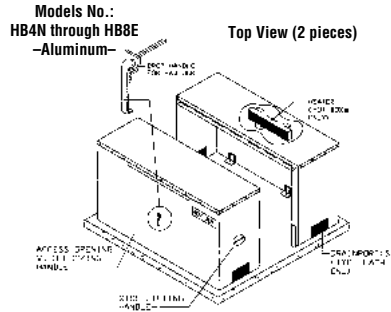
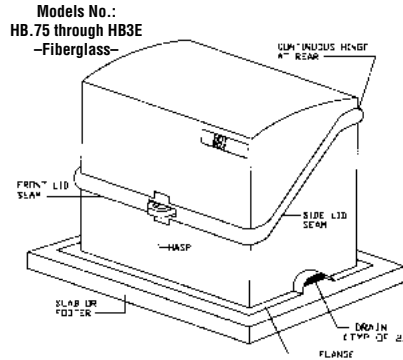


**HotBox ENCLOSURES**  
The Engineered Enclosure That's Built To Last!

Enclosures for backflow prevention assemblies, pumps, meters, control valves . . . .



Fiberglass Color is Provided in Standard Beige. Optional Colors Available at Modest Upcharge.



LOW PROFILE Series™

DESIGNER Series™

PHYSICAL PROPERTIES								PHYSICAL PROPERTIES							
Part No.	Pipe Size	Inside Length	Inside Width	Inside Height	Heater Sizing (120 V, 1Ø)	Shipping Weights	Mounting Pad Size	Part No.	Pipe Size	Inside Length	Inside Width	Inside Height	Heater Sizing (120 V, 1Ø)	Shipping Weights	Mounting Pad Size
<b>FIBERGLASS</b>								<b>ALUMINUM</b>							
HB.75	3/4"-1"	19"	11"	22"	30W Cable	30#	28 x 20	HB4N	4"	90"	32"	50.5"	2000W Heater	370#	102 X 44
HB1	3/4"-1"	27"	13"	23"	60W Cable	35#	36 x 22	HB4NS	4"	102"	32"	50.5"	2000W Heater	400#	114 x 44
HB1T*	3/4"-1"	27"	13"	35"	60W Cable	50#	36 x 22	HB4E	4"	90"	32"	57.5"	2000W Heater	400#	102 x 44
HB1.5	3/4"-1-1/2"	33"	21"	25"	60W Cable	50#	44 x 32	HB4ES	4"	102"	32"	57.5"	2000W Heater	450#	114 x 44
HB2	1-1/4"-2"	39"	13"	28"	90W Cable	50#	50 x 24	HB6N	6"	105"	36"	53"	2000W Heater	450#	117 x 48
HB2S	1-1/4"-2"	47"	13"	28"	90W Cable	85#	58 x 24	HB6NS	6"	125"	36"	53"	2/1500W Heaters	475#	137 x 48
HB2T*	1-1/4"-2"	39"	13"	36"	90W Cable	60#	50 x 24	HB6E	6"	105"	36"	64"	2/1500W Heaters	500#	117 x 48
HB2ST	1-1/4"-2"	47"	13"	36"	90W Cable	95#	58 x 24	HB6ES	6"	125"	36"	64"	2/1500W Heaters	525#	137 x 48
HB3N	2-1/2"-3"	70"	26"	45"	1000W Heater	210#	82 x 38	HB8N	8"	118"	40"	58"	2/1500W Heaters	540#	130 x 52
HB3NS	2-1/2"-3"	83"	26"	45"	1500W Heater	340#	95 x 38	HB8NS	8"	142"	40"	58"	2/1500W Heaters	550#	154 x 52
HB3E	2-1/2"-3"	70"	26"	55"	1500W Heater	385#	82 x 38	HB8E	8"	118"	40"	74"	2/1500W Heaters	575#	130 x 52
HB3ES	2-1/2"-3"	83"	26"	55"	1500W Heater	425#	95 x 38	HB8ES	8"	142"	40"	74"	2/2000W Heaters	610#	154 x 52
HB3000	2-1/2"-4" (N)	45"	35"	35"	1000W Heater	155#	57 x 47	HB10N	10"	142"	42"	65"	2/1500W Heaters	600#	154 x 54
HB4000	4"-6" (N)	53"	44"	44"	1000W Heater	300#	65 x 56	HB10NS	10"	172"	42"	65"	2/2000W Heaters	675#	184 x 54
HB5000	8"-10" (N)	62"	52"	50"	1500W Heater	340#	74 x 64	HB10E	10"	142"	42"	85"	2/2000W Heaters	700#	154 x 54
HB4FEM	2-1/2"-4" (N)	41"	41"	45"	1000W Heater	210#	53 x 53	HB10ES	10"	172"	42"	85"	2/2000W Heaters	775#	184 x 54
HB6FEM	6" (N)	47"	47"	49"	1500W Heater	240#	57 x 57	Factory modifications to length, width or height available upon request • See SIZING MATRIX for balance of standard sizes by BFP make & model • Heating Cables are UL Listed & CSA Certified • Heaters are UL Listed • Electric service must be in accordance with N.E.C. and local ordinances • GFI may be required							
HB8FEM	8" (N)	53"	53"	56"	1500W Heater	300#	63 x 63								
HB10FEM	10" (N)	62"	54"	56"	2000W Heater	490#	74 x 66								

\* "T" = 30" centerline backflow prevention device mounting.  
(N) = Enclosures designed for "N" pattern valves.  
("FEM") are the modular DESIGNER Series™. (Also available in "flip top" style as "FE".)  
N = NRS; E = OS&Y Enclosed; S = w/strainer

- UNITS DESIGNED TO:**
1. Enclose valve handles and stems of non-rising stem (NRS) valves.
  2. Enclose valve handles and stems of open stem & yoke (OS&Y) valves
    - a. OS&Y handles and stems can be accommodated outside enclosure.