

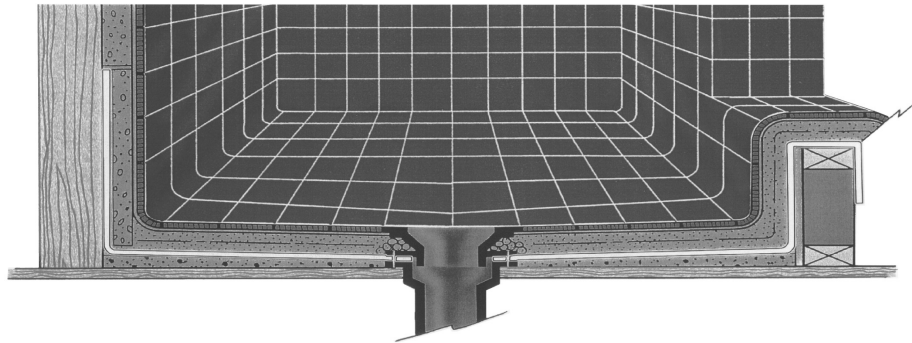
The Noble Company SHOWER PAN LINER

Chloraloy®

Made from CPE

- Will not rot, crack or rust
- 30 years of proven performance

Absolute waterproofing—Best (lowest) permeability



Saves time—No curing

The industry standard

- Meets requirements of IAPMO, City of Los Angeles and ASTM D 4068

Description

Applications

Shower pans, Roman tub liners, steam rooms, toilet rooms, hydrotherapy rooms, reflecting pools, fountains and planters.

Composition and Materials

Chloraloy 240 is manufactured from Chlorinated Polyethylene (CPE), a non-plasticized elastomer.

How to Specify

Specify in Division 9 or Division 15 • Where required, provide Chloraloy, a sheet membrane manufactured from Chlorinated Polyethylene (CPE), with a nominal thickness of 1.0mm (.040"). Sheet shall meet requirements of ASTM D 4068.

