

# PASCO SPECIALTY & MANUFACTURING

## RAYOVAC<sup>™</sup> Industrial Flashlights

- Water resistant, non-conduction, polypropylene, shock-proof, chemical & grease-proof
- Superior light performance
- Full lifetime warranty



Regular



Long



Magnet

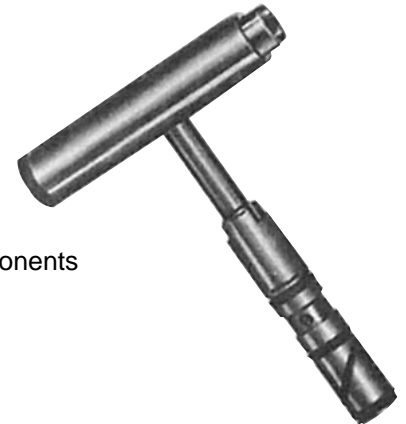
### Quick Nutcracker<sup>™</sup>

Quickly removes corroded 1/2" zinc locknuts from faucet shanks.



### Moen<sup>®</sup> Stem and Cartridge Puller

Removes Moen<sup>®</sup> stems and Moen<sup>®</sup> cartridges from faucets and shower valves.

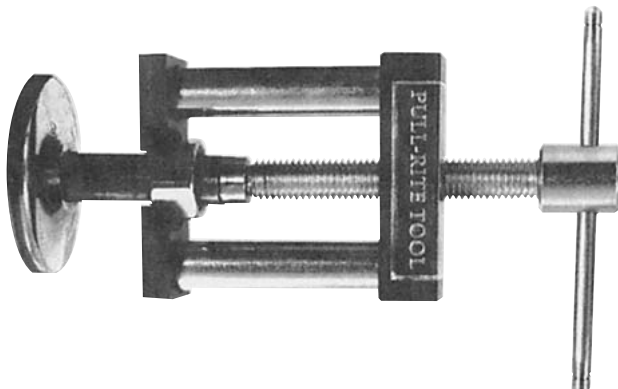


- Precision made
- High quality steel components
- One piece construction
- Easy to use

### Pull-Rite

#### Compression Sleeve Puller

Heavy Duty • For 1/2" Copper Tubing



### Tiny Tim Hacksaw

The highest quality made!



- Cuts wood, plaster, steel, brass, etc.
- Vinyl grip handle
- 1/4" x 6" x 32" T blade

# PASCO SPECIALTY & MANUFACTURING

## Chalk Refills FOR ANY CHALK LINE REEL



## Chalk and Plumb Line



## WATERPROOF LUMBER Crayons



## Cut Length Oakum

- Convenient, labor saving cut lengths
- Non-spitting
- Contains no tar
- Made to pack well, caulks tight
- Treated with a special compound so that it expands when wet



## Safety and Comfort Goggles

- Meets ANSI and OSHA standards
- Soft vinyl frame with 184 perforations for maximum ventilation
- distortion free
- Elastic headband fits comfortably over prescription glasses



## Reversible Plastic Dot

(use twice)

- 8 oz. cotton glove
- Knit wrist



## Stallion

- Split leather palm glove
- Clute cut with 100% cotton fabric back
- Rubberized safety cuff with elastic



## Plastic Coated

- All cotton, fully plastic coated glove with a cuff top

