



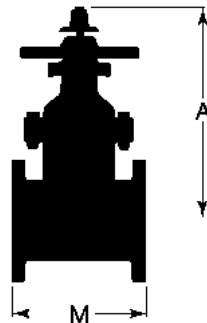
GATE VALVES—BRONZE AND IRON BODY

175/200 WWP Iron Body Gate Valves

Fig. G-600

**Resilient Wedge • Nonrising Stem
• Indicator Post Flange**

4"–6" 200 PSI Nonshock Water Working Pressure
8"–10" 175 PSI Nonshock Water Working Pressure



Dimensions and Weights
Inches (Millimeters)—Pounds (Kilograms)
G-600, Flanged Ends

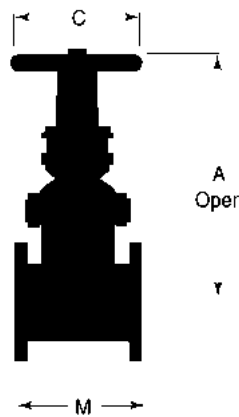
VALVE SIZE	DIMENSIONS		WT
	A	M	
4	14.30 (363)	9.00 (229)	104 (46.8)
6	18.30 (465)	10.50 (267)	182 (81.9)
8	21.70 (551)	11.50 (292)	246 (110.7)
10	25.60 (650)	13.00 (330)	436 (196.2)

175/200 WWP Iron Body Gate Valves

Fig. G-610

**Resilient Wedge • Rising Stem
• OS&Y**

4"–6" 200 PSI Nonshock Water Working Pressure
8"–10" 175 PSI Nonshock Water Working Pressure



Dimensions and Weights
Inches (Millimeters)—Pounds (Kilograms)
G-610, Flanged Ends

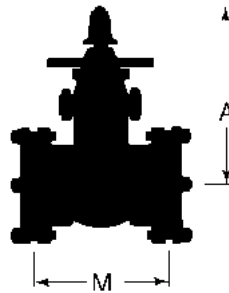
VALVE SIZE	DIMENSIONS			WT
	A	C	M	
2-1/2	14.10 (358)	7.00 (178)	7.50 (191)	44 (19.8)
3	20.90 (531)	10.00 (254)	8.00 (203)	85 (38.3)
4	22.30 (566)	10.00 (254)	9.00 (229)	96 (43.2)
6	30.50 (775)	12.00 (305)	10.50 (267)	176 (79.2)
8	38.20 (970)	14.00 (356)	11.50 (292)	279 (125.6)
10	46.20 (1173)	16.00 (406)	13.00 (330)	435 (195.8)

175 WWP Iron Body Gate Valves

Fig. G-635

**Bronze Mounted • Nonrising Stem
Parallel Seat • Indicator Post Flange**

4"–10" 175 PSI Nonshock Water Working Pressure



Dimensions and Weights
Inches (Millimeters)—Pounds (Kilograms)
G-635, O-Ring Packing, Mechanical Joint Ends

VALVE SIZE	DIMENSIONS		WT
	A	M	
4	13.65 (347)	10.00 (254)	103 (46)
6	18.06 (459)	11.50 (292)	179 (81)
8	20.99 (533)	11.50 (292)	261 (117)
10	24.60 (625)	13.00 (330)	409 (194)

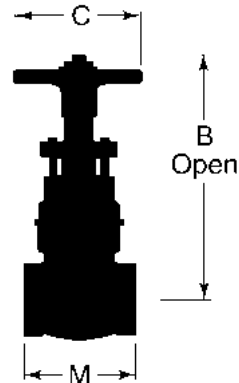
175 WWP Bronze Gate Valves

Fig. B-133

OS&Y • Rising Stem • Solid Wedge Disc

175 PSI Nonshock Water Working Pressure

Approved by the New York City
Board of Standards and Appeals



Dimensions and Weights
Inches (Millimeters)—Pounds (Kilograms)
B-133, Flanged Ends

VALVE SIZE	DIMENSIONS			WT
	A	C	M	
1/2	6.31 (160)	3.31 (84)	2.63 (67)	3.50 (1.59)
3/4	6.31 (160)	3.31 (84)	2.63 (67)	3.30 (1.50)
1	7.27 (185)	3.63 (92)	3.00 (76)	4.40 (2.00)
1-1/4	8.32 (211)	3.63 (92)	3.50 (89)	6.80 (3.09)
1-1/2	9.48 (241)	4.38 (111)	4.00 (102)	9.80 (4.45)
2	11.32 (288)	4.81 (122)	4.75 (121)	15.5 (7.04)



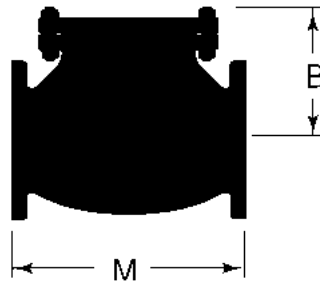
CHECK VALVES AND INDICATOR POSTS

**175 WWP Iron Body
 Swing Gate Valves**

Fig. G-939

Bronze Mounted • Bolted Cap

175 PSI Nonshock Water Working Pressure

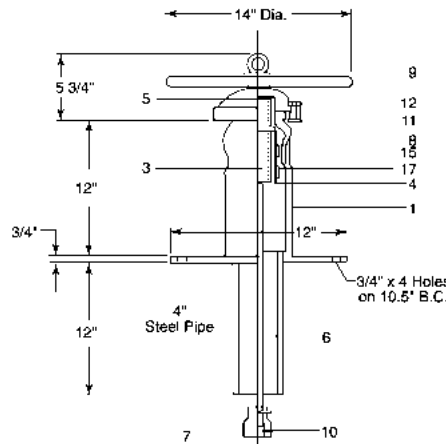


Dimensions and Weights
 Inches (Millimeters)–Pounds (Kilograms)
G-939, Flanged Ends

VALVE SIZE	DIMENSIONS		WT
	A	M	
3	6.75 (171)	11.00 (279)	71 (32)
4	7.50 (191)	13.00 (330)	113 (51)
6	9.25 (235)	16.00 (406)	193 (87)
8	11.25 (286)	18.00 (457)	310 (140)
10	13.50 (343)	22.00 (559)	504 (227)

Wall Indicator Posts

Fig. G-950



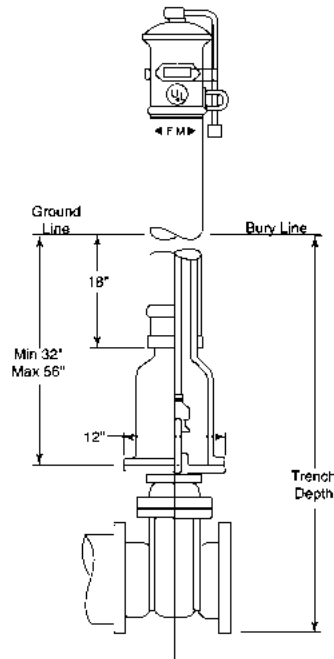
Dimensions and Weights
 Inches (Millimeters)–Pounds (Kilograms)
G-950

VALVE SIZE	DIMENSIONS			WT
	A	M	Ext. Rod	
4	9.56 (243)	13.63 (346)	3 Ft (914)	90 (41)
6	13.69 (348)	18.00 (457)	3 Ft (914)	90 (41)
8	16.50 (419)	21.00 (533)	3 Ft (914)	90 (41)
10	19.88 (505)	24.63 (626)	3 Ft (914)	90 (41)
12	23.50 (597)	28.25 (718)	3 Ft (914)	90 (41)



**Adjustable Vertical
 Indicator Posts**

Fig. G-951A



G-951A

Valve Size	Trench Depth	Extension Sleeve Length	Extension Rod Length	WT
4"	3'8" to 5'8"	3'	6'	252 lbs.
6"	4'1" to 6'1"	3'	6'	252 lbs.
8"	4'5" to 6'5"	3'	6'	252 lbs.
10"	4'9.5" to 6'9.5"	3'	6'	252 lbs.
12"	5'2" to 7'2"	3'	6'	252 lbs.