

**TRETRICE INSTRUMENTS**

**Adjustable Angle Industrial Thermometer**

Recognized globally as the Trerice "BX" Industrial Thermometer, this is an instrument of extreme accuracy and rugged dependability. Available in scale lengths of 7"(AX), 9"(BX), & 12"(CX), with a durable cast aluminum case, this universally adjustable, mercury-in-glass thermometer is the most widely specified instrument of its kind.

7", 9" or 12" Scale  
± One Scale Division Accuracy  
Cast Aluminum Case  
Adjustable Angle Stem  
Optional features are also available.

**Specifications**

**Models**  
AX9, BX9, CX9  
(adjustable angle)

**Scale Size**  
AX9: 7"  
BX9: 9"  
CS9: 12"

**CASE**  
Cast aluminum, blue epoxy finished

**Stem**  
Aluminum, brass, 304 stainless steel or air-duct style available

**Connection**  
1-1/4-18 UNEF-2A coupling nut

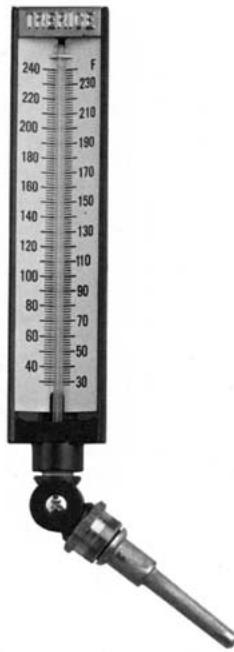
**Window**  
Acrylic on ranges to 300°F

**Tube**  
Lens front, red appearing mercury

**Scale**  
Aluminum, white background with black graduations and markings

**Top Plate**  
Stainless steel

**Accuracy**  
±1 scale division



**Standard Available Ranges**

Fahrenheit Ranges		Celsius Ranges		Dual Scale Ranges	
Range Code	Range	Range Code	Range	Range Code	Range
01	-40° to 110°F	17	-40° to 40°C	41	-40° to 110°F & -40° to 40°C
02	0° to 100°F	24	-18° to 38°C	42	0° to 100°F & -18° to 38°C
03	30° to 130°F	25	0° to 55°C	43	30° to 130°F & 0° to 55°C
04	0° to 160°F	26	-18° to 70°C	44	0° to 160°F & -18° to 70°C
06	30° to 180°F	27	0° to 82°C	46	30° to 180°F & 0° to 82°C
07	30° to 240°F	19	0° to 115°C	47	30° to 240°F & 0° to 115°C
08	30° to 300°F	20	0° to 150°C	48	30° to 300°F & 0° to 150°C
09	50° to 400°F	28	10° to 205°C	49	50° to 400°F & 10° to 204°C
10	100° to 550°F	29	40° to 290°C	50	100° to 550°F & 40° to 290°C

**Econo Thermometer**

The Trerice Econo Thermometer provides accuracy and durability at an economical price. This mercury-in-glass thermometer has a durable cast aluminum case and a polycarbonate frame front and window. Rigid straight and rigid 90° angle cases are available.

5-1/2" Scale  
± One Scale Division Accuracy  
Cast Aluminum Case  
Rigid Straight or Rigid 90° Angle Case

**Specifications**

**Models**  
4350 (Rigid Straight)  
4352 (Rigid 90° Angle)

**Scale Size**  
5-1/2"

**CASE**  
Cast aluminum, blue epoxy finished

**Stem**  
Aluminum or air-duct style available

**Connection**  
Use of thermowell required (must be ordered separately)  
Air-duct stem has mounting flange with 3 bolt holes



**How to Order**

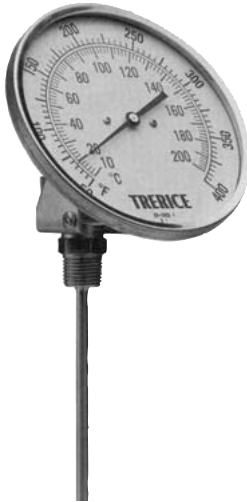
Sample Order Number 435010207					
4350	1			02	
Model	Stem Style			Stem Length	
4350	5-1/2" Straight	1	Aluminum*	02	2" ] Aluminum Stem
4352	5-1/2" 90° Angle	9	Air-Duct	04	4" ]
				06	6" ]
				12	12" ] Air-Duct Stem

**Standard Available Ranges**

Fahrenheit Ranges		Celsius Ranges		Dual Scale Ranges	
Range Code	Range	Range Code	Range	Range Code	Range
01	-40° to 110°F	17	-40° to 40°C	41	-40° to 110°F & -40° to 40°C
03	30° to 130°F	25	0° to 55°C	43	30° to 130°F & 0° to 55°C
06	30° to 180°F	27	0° to 82°C	46	30° to 180°F & 0° to 82°C
07	30° to 240°F	19	0° to 115°C	47	30° to 240°F & 0° to 115°C
08	30° to 300°F	20	0° to 150°C	48	30° to 300°F & 0° to 150°C
09	50° to 400°F	28	10° to 205°C	49	50° to 400°F & 10° to 205°C
13	200° to 500°F	32	93° to 260°C	53	200° to 500°F & 93° to 260°C

## TRETRICE INSTRUMENTS

### Adjustable Angle Bimetal Thermometer



The Trerice Adjustable Angle Bimetal Thermometer can be configured to the most desirable viewing angle. This instrument has a hermetically sealed, stainless steel case designed to withstand the rigors of industrial environments, while producing an accurate, responsive measurement.

3" & 5" Dial Sizes  
 ±1.0% Accuracy  
 Stainless Steel Case & Stem  
 External Reset

#### Specifications

**Models**  
 B83600, B85600

**Window**  
 Double strength glass

**Scale Size**  
 B83600: 3"  
 B85600: 5"

**Pointer**  
 Balanced, black finished

**CASE**  
 300 stainless steel, hermetically sealed

**Dialface**  
 Aluminum, white background with black and blue graduations and markings

**Stem**  
 300 stainless steel, hermetically sealed

**Coil**  
 Bimetallic, silicone dampened on ranges to 300°F (148°C), above 300°F not dampened

**External Reset**  
 Yes

**Accuracy**  
 ±1.0% Full Scale ASME B40.3  
 Grade A

**Connection**  
 Adjustable angle, 1/2 NPT

#### How to Order

Sample Order Number B8560605	
Model	Stem Style
4350	06
B836	02 2-1/2" Stem
B856	04 4" Stem
	06 6" Stem
	09 9" Stem
	12 12" Stem
	15 15" Stem
	18 18" Stem
	24 24" Stem

Optional features are also available.

For applications where the process media may be corrosive or contained under pressure, the use of a thermowell is required to prevent damage to the thermometer and facilitate its removal from the process. For correct use and application of all bimetallic thermometers, please refer to Bimetallic Actuated Thermometer Standard ASME B40.3.

#### Standard Available Ranges

Dual Scale Ranges		Fahrenheit Only Ranges		Celsius Only Ranges	
Range Code	Range	Range Code	Range	Range Code	Range
01	-100° to 100°F & -75° to 40°C	01F	-100° to 100°F	01C	-75° to 40°C
02	-40° to 160°F & -40° to 70°C	02F	-40° to 160°F	02C	-40° to 70°C
03*	25° to 125°F & -5° to 50°C	03F*	25° to 125°F	03C*	-5° to 50°C
04	0° to 200°F & -20° to 95°C	04F	0° to 200°F	04C	-20° to 95°C
05	20° to 240°F & -10° to 115°C	05F	20° to 240°F	05C	-10° to 115°C
27	0° to 250°F & -20° to 120°C	27F	0° to 250°F	27C	-20° to 120°C
06	50° to 300°F & 10° to 150°C	06F	50° to 300°F	06C	10° to 150°C
07	50° to 400°F & 10° to 205°C	07F	50° to 400°F	07C	10° to 205°C
08	50° to 500°F & 10° to 260°C	08F	50° to 500°F	08C	10° to 260°C
09*	150° to 750°F & 50° to 400°C	09F*	150° to 750°F	09C*	50° to 400°C
10*	200° to 1000°F & 100° to 550°C	10F*	200° to 1000°F	10C*	100° to 550°C

\*Minimum stem length for these ranges is 4".

### Rear Connection Bimetal Thermometer



The Trerice Rear Connection Bimetal Thermometer has been designed to meet the needs of standard industrial applications and installations. This instrument features a stainless steel, hermetically sealed case, providing weather tight protection.

3" & 5" Dial Sizes  
 ±1.0% Accuracy  
 Stainless Steel Case & Stem  
 External Reset  
 Optional features are also available.

#### How to Order

Sample Order Number B8320206	
Model	Stem Style
B832	02 2-1/2" Stem
B852	04 4" Stem
	06 6" Stem
	09 9" Stem
	12 12" Stem
	15 15" Stem
	18 18" Stem
	24 24" Stem

#### Specifications

**Models**  
 B83200, B85200

**Window**  
 Double strength glass

**Scale Size**  
 B83200: 3"  
 B85200: 5"

**Pointer**  
 Balanced, black finished

**CASE**  
 300 stainless steel, hermetically sealed

**Dialface**  
 Aluminum, white background with black and blue graduations and markings

**Stem**  
 300 stainless steel, hermetically sealed

**Coil**  
 Bimetallic, silicone dampened on ranges to 300°F (148°C), above 300°F not dampened

**External Reset**  
 Yes

**Accuracy**  
 ±1.0% Full Scale ASME B40.3  
 Grade A

**Connection**  
 Rear, 1/2 NPT

#### Standard Available Ranges

Dual Scale Ranges		Fahrenheit Only Ranges		Celsius Only Ranges	
Range Code	Range	Range Code	Range	Range Code	Range
01	-100° to 100°F & -75° to 40°C	01F	-100° to 100°F	01C	-75° to 40°C
02	-40° to 160°F & -40° to 70°C	02F	-40° to 160°F	02C	-40° to 70°C
03	25° to 125°F & -5° to 50°C	03F	25° to 125°F	03C	-5° to 50°C
04	0° to 200°F & -20° to 95°C	04F	0° to 200°F	04C	-20° to 95°C
05	20° to 240°F & -10° to 115°C	05F	20° to 240°F	05C	-10° to 115°C
27	0° to 250°F & -20° to 120°C	27F	0° to 250°F	27C	-20° to 120°C
06	50° to 300°F & 10° to 150°C	06F	50° to 300°F	06C	10° to 150°C
07	50° to 400°F & 10° to 205°C	07F	50° to 400°F	07C	10° to 205°C
08	50° to 500°F & 10° to 260°C	08F	50° to 500°F	08C	10° to 260°C
09*	150° to 750°F & 50° to 400°C	09F*	150° to 750°F	09C*	50° to 400°C
10*	200° to 1000°F & 100° to 550°C	10F*	200° to 1000°F	10C*	100° to 550°C

\*Minimum stem length for these ranges is 4".

**TRETRICE** INSTRUMENTS

**Remote Reading Dial Thermometers**



The Trerice Remote Reading Dial Thermometer is used extensively in the building and construction industry and is the preferred temperature instrument for OEMs worldwide. The stainless steel case is available in many styles for panel and surface mounting. This instrument has a 3-1/2" dial size and is available with either vapor or liquid actuation.

**Specifications**

Model	Size	Case Style
80225	3-1/2"	Adjustable angle with mounting bracket
80035	3-1/2"	Surface mounted, back flanged, bottom outlet
80036	3-1/2"	Surface mounted, back flanged, back outlet
80040	3-1/2"	Flush mounted, front flanged, back outlet
80041	3-1/2"	Flush mounted, u-clamp, back outlet

**Case Material**  
Stainless Steel

**Window**  
Acrylic, snap-in with nitrile o-ring seal

**Pointer**  
Adjustable, black finished

**Dialface**  
Aluminum, white background with black graduations and markings

**Accuracy**  
±One scale division

**How to Order**

Sample Order Number: V80035110B0105					
V	80035	110	B01	05	
Actuation	Model	Range Code	Thermal System	Capillary Length	
V	Vapor	80025	See Standard	See Thermal	05 5 Feet
L	Liquid	80035	Available Ranges	System Selection	10 20 Feet
		80036			15 15 Feet
		80040			20 20 Feet
		80041			

Model	A	C	F	J	K	L	M	N	P
80025	N/A	3.67 (93.2)	0.32 (8.2)	1.33 (33.9)	N/A	N/A	3.51 (89.2)	N/A	N/A
80035	4.91 (124.7)	3.67 (93.2)	0.43 (11.0)	1.44 (36.6)	4.50 (114.3)	0.25 (6.4)	N/A	N/A	N/A
80040	4.84 (122.9)	N/A	N/A	1.33 (33.6)	4.44 (112.8)	0.25 (6.4)	3.51 (89.2)	3.62 (92.0)	0.17 (4.3)
80041	4.31 (109.5)	N/A	N/A	1.33 (33.8)	N/A	N/A	3.51 (89.2)	3.62 (92.0)	0.17 (4.3)
80036	4.91 (124.7)	3.67 (93.2)	N/A	1.44 (36.6)	4.50 (114.3)	0.25 (6.4)	N/A	N/A	N/A

**Standard Available Ranges**

Vapor Actuated				Liquid Actuated					
Fahrenheit Code	Range	Celsius Code	Range	Dual Scale Code	Fahrenheit Code	Range	Celsius Code	Range	Dual Scale Code
030	-40° to 150°F	430	-40° to 65°C	230	020	-40° to 120°F	420	-40° to 50°C	220
040	-20° to 200°F	440	-30° to 40°C	240	050	0° to 100°F	450	-20° to 40°C	250
050	0° to 100°F	450	-20° to 40°C	250	060	0° to 160°F	460	-20° to 70°C	260
065	0° to 160°F	465	-10° to 70°C	265	100	30° to 180°F	495	0° to 80°C	300
100	30° to 180°F	500	0° to 85°C	300	110	30° to 240°F	510	0° to 115°C	310
110	30° to 240°F	510	0° to 115°C	310	130	50° to 300°F	530	10° to 150°C	330
120	30° to 300°F	520	0° to 150°C	320					
145	100° to 350°F	545	40° to 180°C	345					
160	200° to 450°F	560	90° to 230°C	360					
160	200° to 450°F	560	90° to 230°C	360					

## TRERICE INSTRUMENTS

### Utility Gauge D80 Series



2", 2-1/2" & 4" Dial Sizes  
±1.5% Accuracy  
Stainless Steel Case  
Glycerine Fill Standard

Optional features and case styles are also available.

For correct use and application of all pressure gauges, please refer to Pressure Gauge Standard ASME B40.100.

The Trerice Series D80 Utility Gauge is designed for rugged performance requirements at an economical cost. This liquid filled gauge is furnished with a stainless steel case and crimped ring. Wetted parts are either bronze tube with brass socket or stainless steel.

#### Specifications

##### Models

D82LFB (liquid filled)  
D83LFSS (liquid filled)

##### Size

2", 2-1/2", 4"

##### Wetted Parts

D82LFB: Bronze tube, brass socket  
D83LFSS: 316 stainless steel tube and socket

##### Movement

D82LFB: Brass  
D83LFSS: 316 stainless steel

##### Connection

Lower male or center back male, 1/4 NPT

##### Case

304 stainless steel, stem mounted flangeless

##### Ring

Crimped 304 stainless steel

##### Window

2", 2-1/2" Dial Size: Styrene-acrylonitrile

4" Dial Size: Grilamid

##### Pointer

Plain, black finish

##### Dialface

Aluminum, white background with black graduations and markings

##### Accuracy

±1.5% Full Scale

##### Maximum Temperature

150°F (65°C)

##### Approximate Shipping Weight

2" Dial Size: 0.4 lbs (0.18 kg)  
2-1/2" Dial Size: 0.5 lbs (0.23 kg)  
4" Dial Size: 1.0 lbs (0.45 kg)

### Utility Gauge 800B



1-1/2", 2", 2-1/2" & 4" Dial Sizes  
±1.6% Accuracy  
Drawn Steel Case

Optional features and case styles are also available.

For correct use and application of all pressure gauges, please refer to Pressure Gauge Standard ASME B40.100.

The Trerice 800B Utility Gauge is designed for general pressure indication requirements. This gauge provides reliable service at an economical cost. Wetted parts are bronze tube and brass socket.

#### Specifications

##### Models

800B

##### Size

1-1/2", 2", 2-1/2", 4"

##### Wetted Parts

Bronze tube, brass socket

##### Movement

Brass

##### Connection

1-1/2" Dial Size: Lower male or center back male, 1/8 NPT

2", 2-1/2" Dial Size: Lower male or center back male, 1/8 or 1/4 NPT

4" Dial Size: 1/4 or 1/2 NPT

##### Case

Drawn steel, black finished, stem mounted flangeless

##### Window

Styrene-acrylonitrile, snap-in

##### Pointer

Plain, black finish

##### Dialface

ABS plastic, white background with black graduations and markings

##### Accuracy

±1.6% Full Scale

##### Maximum Temperature

150°F (65°C)

### Utility Gauge 800LFB *Liquid Filled Case*



2", 2-1/2" & 3-1/2" Dial Sizes  
±1.6% Accuracy (2", 2-1/2")  
±1.0% Accuracy (3-1/2")  
Liquid Filled

Case style variations and optional features are also available.

For correct use and application of all pressure gauges, please refer to Pressure Gauge Standard ASME B40.100.

The Trerice 800LFB Utility Gauge is designed to meet the needs of general industrial applications. The gauge features a rugged, plastic, liquid filled case to withstand minor vibration and pulsation conditions. Wetted parts are bronze tube with brass socket.

#### Specifications

##### Models

800LFB (liquid filled)

##### Size

2", 2-1/2", 3-1/2"

##### Wetted Parts

Bronze tube, brass socket

##### Movement

Brass

##### Connection

Lower male or center back male, 1/4 NPT

##### Case

2", 2-1/2" Dial Size: ABS plastic, stem mounted flangeless

3-1/2" Dial Size: Nylon, stem mounted flangeless

##### Ring

Crimped aluminum, black finished

##### Window

Styrene-acrylonitrile

##### Pointer

Plain, black finish

##### Dialface

Aluminum, white background with black graduations and markings

##### Accuracy

±1.6% Full Scale

##### Maximum Temperature

150°F (65°C)

**THIS MODEL ALSO AVAILABLE IN STAINLESS STEEL CASE-SPECIFY 700 SERIES**

**TRETRICE INSTRUMENTS**

**Pocket Bimetal Thermometer**



The Trerice Pocket Bimetal Thermometer is designed to deliver temperature indications for general and informal testing purposes. This thermometer has a hermetically sealed stainless steel case with a plain connection and comes complete with a plastic stem protector with pocket clip.

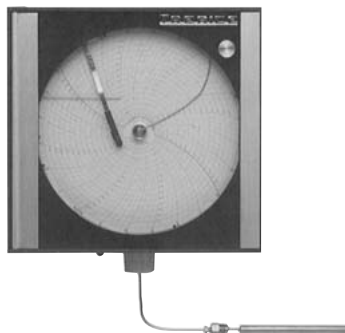
- 1" Dial Scale
- ±5.0% Accuracy
- Stainless Steel Case & Stem
- Plastic Stem Protector with Pocket Clip

**How to Order**

Sample Order Number B8110515			
B811	05	15	
Model	Stem Style	Range Code	
B811	05 5" Stem	11	-20° to 120°F (20° Figure Intervals / 2° Minor Divisions)
		13	0° to 220° F (20° Figure Intervals / 2° Minor Divisions)
		15	50° to 500° F (50° Figure Intervals / 5° Minor Divisions)
		18	0° to 120°C (10° Figure Intervals / 1° Minor Divisions)
		20	0° to 250°C (50° Figure Intervals / 2° Minor Divisions)

**Temperature Recorder L86000 Series**

The Trerice Series L86000 Temperature Recorder features a rugged ABS case, plexiglas door and window assembly, and 10" circular chart driven by an electric or spring wound drive. The marking system uses a snap-on pen tip, which is operated by a liquid actuated thermal system.



**Contractor Gauge 600CB**

The Trerice 600CB Contractor Gauge is among the most frequently specified HVACR gauges within the construction industry. This gauge offers high reliability at a moderate price. The 600CB is furnished with a cast aluminum case and an adjustable pointer.



- 3-1/2" & 4-1/2" Dial Sizes
- ±1.0% Accuracy
- Cast Aluminum Case
- Adjustable Pointer

Case style variations and optional features are also available.

For correct use and application of all pressure gauges, please refer to Pressure Gauge Standard ASME B40.100.

**Specifications**

**Models**  
600CB

**Size**  
3-1/2", 4-1/2"

**Wetted Parts**  
3-1/2" Dial Size: Bronze tube, brass socket

4-1/2" Dial Size: Brass tube and socket

**Movement**  
Brass

**Connection**  
Lower male, 1/4 NPT

**Case**  
Cast aluminum, black finished, stem mounted flangeless

**Ring**

3-1/2" Dial Size: Friction type, steel, black finished

4-1/2" Dial Size: Friction type, 304 stainless steel

**Window**

Clear glass

**Pointer**

Adjustable, black finished

**Dialface**

Aluminum, white background with black graduations and markings

**Accuracy**

±1.0% Full Scale, SAME B40.100 Grade 1A

**Maximum Temperature**

150°F (65°C)



## Industrial Gauge 500X Series with Dial Sizes through 12"



The Trerice Series 500X Industrial Gauge is designed to withstand the most demanding applications of a variety of industries. This pressure gauge has a back flanged, cast aluminum case and stainless steel ring. Wetted parts are either bronze tube with brass socket or stainless steel tube and socket.

4-1/2", 6", 8-1/2" & 12" Dial Sizes  
±0.5% Accuracy  
Cast Aluminum Case

### Specifications

**Models**  
500XB, 500XSS

**Size**  
4-1/2", 6", 8-1/2", 12"

**Wetted Parts**  
500XB: Bronze tube, brass socket  
500XSS: 316 stainless steel tube and socket.\*

**Movement**  
Stainless steel

**Connection**  
Lower male or lower back male, 1/4 or 1/2 NPT

**Case**  
Cast aluminum, black finished, surface mounted back flanged

**Ring**  
4-1/2", 6", 8-1/2" Dial Size: Friction type, 304 stainless steel  
12" Dial Size: Friction type, steel, black finished

**Window**  
Clear glass

**Pointer**  
4-1/2", 6", 8-1/2" Dial Size: Micro adjustable, black finished  
12" Dial Size: Plain, black finished

**Dialface**  
Aluminum, white background with black graduations and markings

**Accuracy**  
±0.5% Full Scale, ASME B40.100 Grade 2A

**Maximum Temperature**  
250°F (121°C)

**Approximate Shipping Weight**  
2-1/2" Dial Size: 2.0 lbs (0.91 kg)  
6" Dial Size: 2.8 lbs (1.27 kg)  
8-1/2" Dial Size: 5.8 lbs (2.63 kg)  
12" Dial Size: 14.6 lbs (6.62 kg)

### How to Order

Sample Order Number: 500XB45SML250PSI110					
500XB	45	SML	250	PSI	110
Model	Dial Size	Case Type & Connection Location	Connection Size	Units of Measure	Range Code
500XB	45 4-1/2"	SMB Surface Mount Back	250 1/4 NPT	PSI psi	See Standard
500XSS	60 6"	SML Surface Mount Lower	500 1/2 NPT	KPA kPa	Available
	85 8-1/2"	FSB Flangeless		KG kg/cm2	Ranges (over)
	12 12"	FSL Flangeless Lower		PSI/KPA psi/kPa	
		HRB Hinged Ring Back		PSI/KG psi & kg/cm2	
		HRL Hinged Ring Lower			

### Standard Available Ranges

psi Ranges (PSI)	
Range Code	Specific Range
010	30" Hg to 0
020	30" Hg to 15 psi
030	30" Hg to 30 psi
040	30" Hg to 60 psi
050	30" Hg to 100 psi
060	30" Hg to 150 psi
070	30" Hg to 300 psi
080	0 to 15 psi
090	0 to 30 psi

psi Ranges (PSI)	
Range Code	Specific Range
100	0 to 60 psi
110	0 to 100 psi
120	0 to 160 psi
130	0 to 200 psi
140	0 to 300 psi
150	0 to 400 psi
160	0 to 600 psi
180	0 to 1000 psi

psi Ranges (PSI)	
Range Code	Specific Range
Ranges over 1000 psi are not available on 500XB.	
190	0 to 1500 psi
200	0 to 2000 psi
210	0 to 3000 psi
220	0 to 5000 psi
230	0 to 10,000 psi
240	0 to 15,000 psi

Dual scale (psi/kPa and psi & kg/cm) ranges are available. Specify the P:SI Range Code required along with the appropriate Units of Measure code (PSI/KIPA or PSI/KG). Other pressure management ranges available, including Attitude, Ammonia, Refrigerant and Receiver ranges. Consult Special Application Ranges section or factory for availability.

**TRETRICE INSTRUMENTS**

**Process Gauge 450 Series**



The Trerice Series 450 Process Gauge is designed for the petrochemical and industrial process industries. This solid front, blow-out back gauge is noted for its fiberglass reinforced polypropylene turret case and screwed ring; its sturdy interior design; and its liquid-fill capability. The Series 450 can withstand the most rugged industrial applications, while maintaining precise accuracy. Wetted parts are bronze tube/brass socket, stainless steel, or Monel.

4-1/2" Dial Sizes  
±0.5% Accuracy  
Solid Front/Blow-Out Back  
Field Liquid Fillable

Alternative materials and accessories are also available. Please consult the Options and Accessories Section for details.

Selection of the proper thermowell is the sole responsibility of the user. Temperature and pressure limitations must be considered. Improper application may cause failure of the thermowell, resulting in possible personal injury or property damage.

**Specifications**

**Models**

450B (dry), 450LFB (liquid filled)  
450SS (dry), 450LFSS (liquid filled)  
450M (dry), 450LFM (liquid filled)

**Size**

4-1/2"

**Wetted Parts**

450B, 450LFB: Bronze tube, brass socket  
450SS, 450LFSS: 316 stainless steel tube and socket  
450M, 450LFM: Monel tube and socket (meets NACE MR 01.75)

**Movement**

Stainless steel

**Connection**

Lower male or lower back male, 1/4 or 1/2 NPT

**Case**

Fiberglass reinforced polypropylene, turret, solid front with blow-out back

**Ring**

Threaded fiberglass reinforced polypropylene

**Window**

Acrylic

**Pointer**

Microadjustable, black finished

**Dialface**

Aluminum, white background with black graduations and markings

**Accuracy**

±0.5% Full Scale, ASME B40.100 Grade 2A

**Maximum Temperature**

450B, 450SS, 450M: 250°F (121°C)  
450 LFB, 450LFSS, 450LFM: 150°F (65°C)

**Approximate Shipping Weight**

450B, 450SS, 450M: 2.2 lbs (1.00 kg)  
450 LFB, 450LFSS, 450LFM: 3.1 lbs (1.41 kg)

**How to Order**

Sample Order Number: 450LFBG45TRL250PSI110					
450LFB	G	45	TRL	250	PSI
Model	Liquid Fill Type	Dial Size	Case Type & Connection Location	Connection Size	Units of Measure
450B	G Glycerine	45 4-1/2"	TRB Turret Back	250 1/4 NPT	PSI psi
450LFB	S Silicone		TRL Turret Lower	500 1/2 NPT	KPA kPa
450SS	Omit if Dry				KG kg/cm <sup>2</sup>
450LFSS					PSI/KPA psi/kPa
450M					PSI/KG psi & kg/cm <sup>2</sup>

**Standard Available Ranges**

psi Ranges (PSI)	
Range Code	Specific Range
010	30" Hg to 0
020	30" Hg to 15 psi
030	30" Hg to 30 psi
040	30" Hg to 60 psi
050	30" Hg to 100 psi
060	30" Hg to 150 psi
070	30" Hg to 300 psi
080	0 to 15 psi
090	0 to 30 psi

psi Ranges (PSI)	
Range Code	Specific Range
100	0 to 60 psi
110	0 to 100 psi
120	0 to 160 psi
130	0 to 200 psi
140	0 to 300 psi
150	0 to 400 psi
160	0 to 600 psi
180	0 to 1000 psi

psi Ranges (PSI)	
Range Code	Specific Range
Ranges over 1000 psi are not available on 450B and 450LFB.	
190	0 to 1500 psi
200	0 to 2000 psi
210	0 to 3000 psi
220	0 to 5000 psi
230	0 to 10,000 psi
Ranges over 10,000 psi are only available on 450SS and 450LFSS.	
240	0 to 15,000 psi
250	0 to 20,000 psi

## TRETRICE INSTRUMENTS

### Low Pressure Gauge 760 Series



2", 2-1/2" & 4" Dial Sizes  
±1.6% Accuracy  
Drawn Steel Case

The Trerice Series 760 Low Pressure Gauge is designed to accurately measure extreme low pressure conditions. This pressure gauge employs a diaphragm capsule sensing element to measure the low pressure. Case material is drawn steel with brass wetted parts.

Optional features and case styles are also available.

For correct use and application of all pressure gauges, please refer to Pressure Gauge Standard ASME B40.100.

### Specifications

<b>Model</b> 760B	<b>Case</b> Drawn steel, black finished, stem mounted flangeless
<b>Size</b> 2", 2-1/2", 4"	<b>Window</b> Polycarbonate, snap-in
<b>Wetted Parts</b> 316L stainless steel diaphragm capsule, brass socket	<b>Pointer</b> Plain, black finished
<b>Movement</b> Brass	<b>Dialface</b> Aluminum, white background with black graduations and markings
<b>Connection</b> 2", 2-1/2" Dial Size: Lower male or center back male, 1/4 NPT  4" Dial Size: Lower male or center back male, 1/4 or 1/2 NPT	<b>Accuracy</b> ±1.6% Full Scale  <b>Max Temp</b> 140° (60°)

### Standard Available Ranges

Unit of Measure Code	Range Code	Specific Range
IN/KPA	590*	15" H <sub>2</sub> O to 0 / -3.7 to 0 kPa vacuum
IN/KPA	600	30" H <sub>2</sub> O to 0 / -7.4 to 0 kPa vacuum
IN/KPA	610	60" H <sub>2</sub> O to 0 / -15 to 0 kPa vacuum
IN/KPA	620	100" H <sub>2</sub> O to 0 / -25 to 0 kPa vacuum
IN/KPA	630	160" H <sub>2</sub> O to 0 / 40 to 0 kPa vacuum
IN/KPA	650*	0 to 15" H <sub>2</sub> O to 0 / 0 to 3.7 kPa
IN/KPA	660	0 to 30" H <sub>2</sub> O to 0 / 0 to 7.4 kPa
IN/KPA	670	0 to 60" H <sub>2</sub> O to 0 / 0 to 15 kPa
IN/KPA	680	0 to 100" H <sub>2</sub> O to 0 / 0 to 25 kPa
IN/KPA	690	0 to 160" H <sub>2</sub> O to 0 / 0 to 40 kPa
IN/KPA	700	0 to 200" H <sub>2</sub> O to 0 / 0 to 50 kPa
PSI/KPA	074	0 to 5 psi / 0 to 35 kPa
PSI/KPA	077	0 to 10 psi / 0 to 70 kPa
IN/OZ/KPA	662	0 to 20 oz/in <sup>2</sup> & 0 to 34" H <sub>2</sub> O & 0 to 7.4 kPa
OZ/KPA	667	0 to 36 oz/in <sup>2</sup> & 13 kPa
OZ/KPA	680	0 to 60 oz/in <sup>2</sup> & 26 kPa

\*Range numbers 590 and 650 have a 180° scale and accuracy of ±2.5% Full Scale. Single scale and other measurement ranges may be available, consult factory.

### Pressure Gauge Accessories

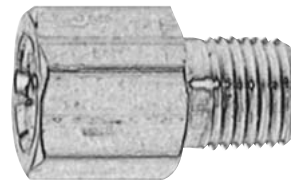


**Impulse Dampeners**  
Series 870 Pressure Impulse Dampeners are designed to improve readability

and prevent wear on delicate gauge mechanisms by slowing rapid pressure changes and reducing shock and chattering. An impulse dampener should be installed on a gauge in any application where pressure spikes and/or pulsations may be present. Trerice Impulse Dampeners are engineered for field serviceability (cleaning and parts replacement) and are constructed from brass or stainless steel for use on a variety of pressure media.

### Series 870 Impulse Dampeners

Item No.	Body & Insert Material	Connection Size	Maximum Pressure	Service
870-1	Brass	1/4 NPT	1000 psig	Air, water, steam and gases
870-2	Brass	1/4 NPT	1000 psig	Gasoline and light oils
870-3	Brass	1/4 NPT	1000 psig	Lubricating and heavy oils
870-7	303SS	1/4 NPT	5000 psig	Includes 3 pistons for various viscosities
870-10	303SS	1/2 NPT	10,000 psig	Includes 3 pistons for various viscosities
870-13	316SS	1/4 NPT	5000 psig	Includes 3 pistons for various viscosities
870-16	316SS	1/2 NPT	10,000 psig	Includes 3 pistons for various viscosities



### Pressure Snubbers

Series 872 Pressure Snubbers are designed to improve readability and prevent wear on delicate gauge mechanisms by slowing rapid pressure changes and reducing shock and chattering. A pressure snubber should be installed on a gauge in any application where pressure spikes and/or pulsations may be present. If a single snubber does not correct the oscillation, it is recommended to place an additional snubber in line with the first. Trerice Pressure Snubbers reduce the pulsation by forcing the pressure medium through a porous metal core and are constructed from brass or 303 stainless steel for use on a variety of pressure media.

### Series 872 Pressure Snubbers

Item No.	Body & Insert Material	Connection Size	Maximum Pressure	Service
872-1	Brass	1/4 NPT	1000 psig	Air, water, steam and gases
872-2	Brass	1/4 NPT	1000 psig	Gasoline and light oils
872-3	Brass	1/4 NPT	1000 psig	Lubricating and heavy oils
872-4	303SS	1/4 NPT	2000 psig	Air, water, steam and gasses
872-5	303SS	1/4 NPT	2000 psig	Gasoline and light oils
872-6	303SS	1/4 NPT	2000 psig	Lubricating and heavy oils
872-7	Brass	1/2 NPT	5000 psig	Air, water, steam and gases
872-8	Brass	1/2 NPT	5000 psig	Gasoline and light oils
872-9	Brass	1/2 NPT	5000 psig	Lubricating and heavy oils
872-10	303SS	1/2 NPT	10,000 psig	Air, water, steam and gases
872-11	303SS	1/2 NPT	10,000 psig	Gasoline and light oils
872-12	303SS	1/2 NPT	10,000 psig	Lubricating and heavy oils





Pressure Gauge Accessories *continued*

**Coil Syphons**

Series 885 Coil Syphons are designed for use on steam service to form a pocket of water between the pressure gauge and the process steam, thereby preventing the steam from reaching the bourdon tube of the pressure gauge. Trerice Coil Syphons are constructed of steel, brass, or 304 stainless steel with a 180° coil for use on a variety of requirements. Other materials and coil styles are available; consult factory.

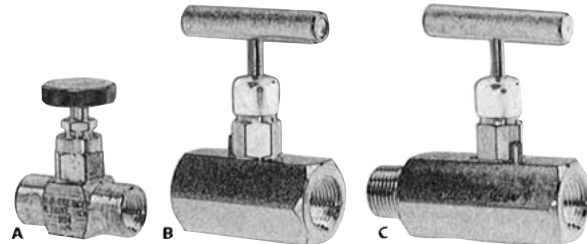


**Series 885 Coil Syphons**

Item No.	Body & Insert Material	Style	Connection Size	Maximum Pressure	Maximum Temperature
885-1	Welded steel, schedule 40	180° coil	1/4 NPT	600 psig	750°F
885-1.1	Welded steel, schedule 40	180° coil	1/2 NPT	800 psig	650°F
885-2	Seamless brass, schedule 40	180° coil	1/4 NPT	250 psig	406°F
885-3	Chrome plated brass, schedule 40	180° coil	1/4 NPT	250 psig	406°F
885-4	Welded 304SS, schedule 40	180° coil	1/4 NPT	1300 psig	650°F
885-4.1	Welded 304SS, schedule 40	180° coil	1/2 NPT	1000 psig	650°F
885-6	Welded 316SS, schedule 40	180° coil	1/4 NPT	1300 psig	650°F
885-6.1	Welded 316SS, schedule 40	180° coil	1/2 NPT	1000 psig	650°F

**Needle Valves**

Series 735 and 740 Rising Stem Needle Valves are designed to shut off the flow of the process media to the pressure instrument, thereby allowing the instrument to be isolated from the pressure media or removed from service. Needle valves may also be used to throttle flow and aid in dampening pulsations. Trerice Needle Valves are constructed from brass, carbon steel and stainless steel for use on a variety of pressure media. **It is recommended to place a needle valve, ball valve, or gauge cock in line before every pressure gauge installation.**



**Series 735 & 740 Needle Valves**

Item No.	Type	Connection Size	Body	Seat	Stem	Packing
<i>See Illustration A above.</i>						
735-2	FFG	1/4 NPT	Brass	Brass	Brass	Teflon
735-4	FFG	1/4 NPT	Carbon steel	Teflon	316SS	Teflon
735-6	FFG	1/4 NPT	303SS	303SS	303SS	Teflon
735-8	FFG	1/4 NPT	316SS	316SS	316SS	Teflon
735-9	MFG	1/4 NPT	316SS	316SS	316SS	Teflon
<i>See Illustration B and C above.</i>						
740-3	FFG	1/2 NPT	Carbon steel	Carbon steel	316SS	Teflon
740-4	MFG	1/2 NPT	Carbon steel	Carbon steel	316SS	Teflon
740-9	MFG	1/2 NPT	316SS	Delrin	316SS	Teflon
740-11	FFG	1/2 NPT	316SS	316SS	316SS	Teflon

**Test Plugs**

Test Plug Item No.	Test Plus with Chain Item No.	Connection Size	Body & Cap	Core	Maximum Pressure	Maximum Temperature
D3741	D3764	1/4 NPT	Brass	Nordel	1000 psig	350°F
D3743	D3763	1/4 NPT	Brass	Neoprene	1000 psig	200°F
D3758	D3766	1/4 NPT	316SS	Nordel	1000 psig	350°F
D3757	D3765	1/4 NPT	316SS	Neoprene	1000 psig	200°F
D3760	D3768	3/8 NPT	Brass	Nordel	1000 psig	350°F
D3759	D3767	3/8 NPT	Brass	Neoprene	1000 psig	200°F
D3742	D3770	1/2 NPT	Brass	Nordel	1000 psig	350°F
D3744	D3769	1/2 NPT	Brass	Neoprene	1000 psig	200°F
D3762	D3772	1/2 NPT	316SS	Nordel	1000 psig	350°F
D3761	D3771	1/2 NPT	316SS	Neoprene	1000 psig	200°F

**Test Kits**

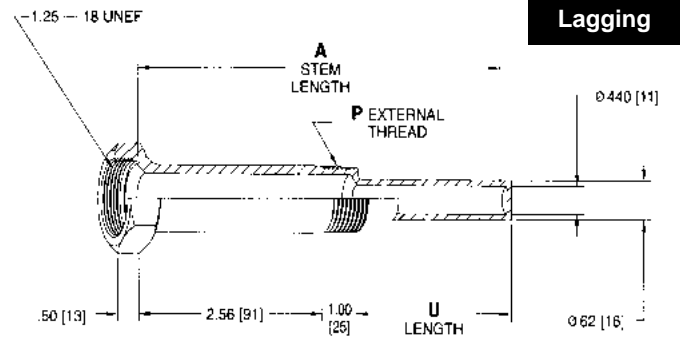
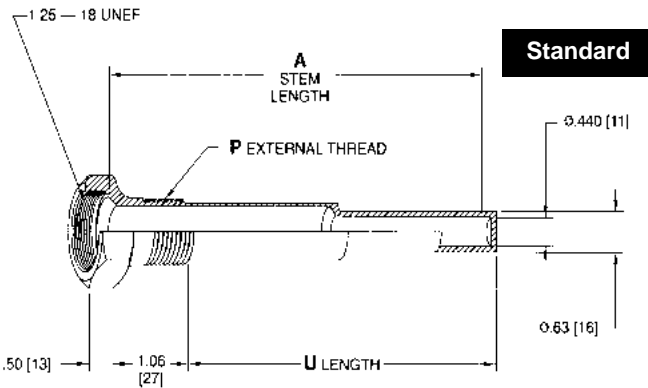
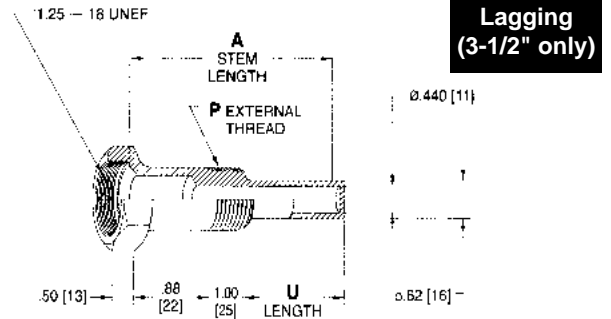
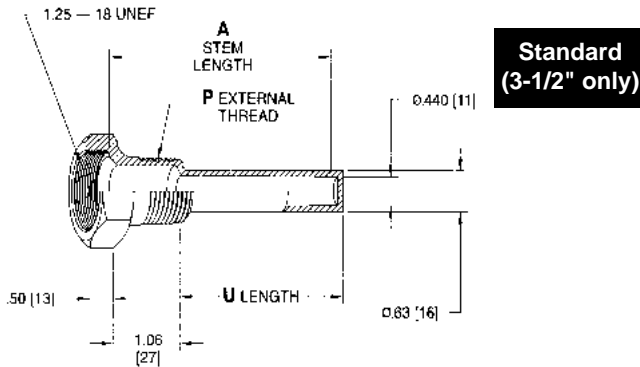
Item No.	Pressure Range
D3750	0 to 100 psi
D3751	0 to 200 psi
D3752	0 to 300 psi
D3748	0 to 600 psi

Each test kit contains:  
 (1) 700B Pressure Gauge,  
 (1) B82105P03F Thermometer,  
 (1) B82105P05F Thermometer,  
 (1) D3747 Gauge Adapter,  
 (1) Carrying Case



## Industrial Thermowells

All dimensions are nominal.  
Dimensions in [ ] are in millimeters.



### Lengths

Stem Length	Standard Thermowell	Lagging Extension Thermowell	
	U Length	T Lagging	U Length
3-1/2"	2.50 (64)	—	—
6"	4.50 (114)	2.00 (51)	2.50 (64)
8"	7.50 (191)	3.00 (76)	4.50 (114)
12"	10.50 (267)	3.00 (76)	7.40 (191)

### Pressure Rating (psi)

Material	Operating Temperature					
	70°F	200°F	400°F	600°F	800°F	1000°F
Brass	640	575	100	—	—	—
Carbon Steel	720	690	660	630	480	210
304 Stainless Steel	940	850	770	740	720	625
316 Stainless Steel	940	940	875	850	840	700
Monel	900	825	740	730	710	210

Alternative materials and accessories are also available.

Selection of the proper thermowell is the sole responsibility of the user. Temperature and pressure limitations must be considered. Improper application may cause failure of the thermowell, resulting in possible personal injury or property damage

### How to Order

Sample Order Number: 3-4F2					
Thermowell Style	External Thread (P)	Stem Length	Lagging Extension (T)	Material	
3 Industrial	3 1/2 NPT	F 3-1/2" Stem	A 1" Extension (3-1/2" Stem only)	2 Brass	
	4 3/4 NPT	J 6" Stem	D 2-1/2" Extension (6" and longer Stem only)	3 Steel	
	5 1 NPT	L 8" Stem	Omit if None	4 Monel	
		R 12" Stem		5 304SS	
				6 316SS	