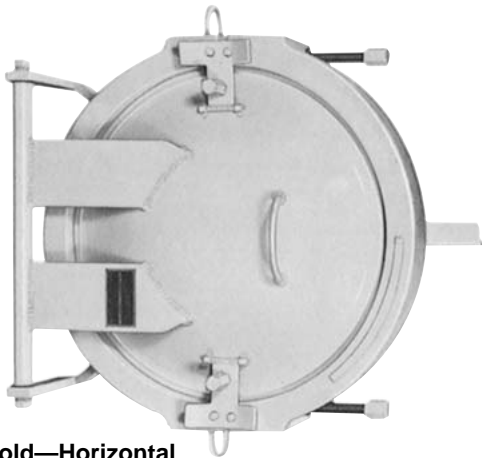




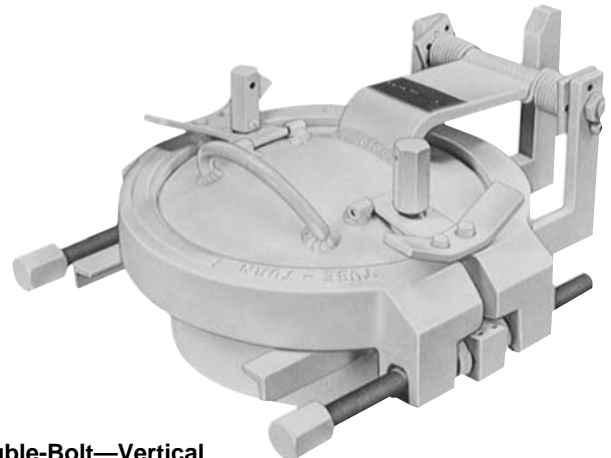
**HINGED CLOSURES**

**GENERAL INFORMATION**

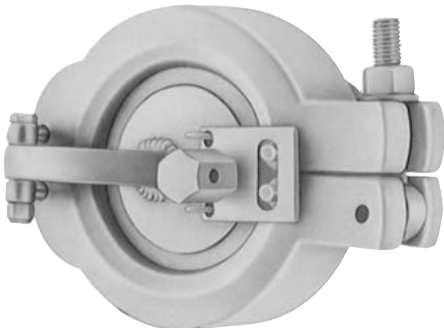
Yoke Type Hinged Closures Styles and Sizes			
Nomenclature	Type of Class	Nominal Sizes	Service/Rating
<b>Double-Bolt—Horizontal</b>	150H	8"–42"	150-lb ( 285 PSI)
	300H	8"–42"	300-lb ( 740 PSI)
	600H	8"–42"	600-lb (1480 PSI)
	900H	8"–42"	900-lb (2220 PSI)
	1500H	8"–30"	1500-lb (3705 PSI)
<b>Double-Bolt—Vertical</b>	150V	8"–42"	150-lb ( 285 PSI)
	300V	8"–30"	300-lb ( 740 PSI)
	600V	8"–30"	600-lb (1480 PSI)
	900V	8"–24"	900-lb (2220 PSI)
<b>Single-Bolt Closure</b>	150S	2"–8"	150-lb ( 285 PSI)
	300S	2"–8"	300-lb ( 740 PSI)
	600S	2"–8"	600-lb (1480 PSI)
<b>T-Bolt Hinged Closure</b>	75 TB Horizontal	10"–48"	100 PSI at 250°F
	150 TB Horizontal	6"–48"	at 250°F
	300 TB Horizontal	6"–42"	at 250°F
	75 TB Vertical	10"–42"	100 PSI at 250°F
	150 TB Vertical	10"–36"	at 250°F
	300 TB Vertical	10"–36"	at 250°F



Double-Bolt—Horizontal



Double-Bolt—Vertical



Single-Bolt



T-Bolt Hinged Closures